

Cleco

RIVETING



Cleco | Tame the Line

SHOWN: COMPRESSION RIVETER

RB41/RB42 Series - Compression Riveter - C-Yoke Type

Up to 3/16" | 4.8mm Capacity Al rivets



- Rivet set holder adjustment - stroke 0.12" allows the operator to use this compression riveter with different thicknesses without changing the rivet set.
- This light, sturdy, compact and fast compression riveter, has a maximum rivet capacity of 9/64" dia (3,6 mm) for aluminium rivets (depending on the rivet joint thickness).
- Equipped with a safety throttle lever.
- Smooth controlled throttle movement for fast and slow approach.
- To develop maximum power the riveter must squeeze the rivet near to the end of the riveting stroke. Therefore, the combined length of the two rivets sets must be correct.
- The operator can adjust exactly the position of the rivet by adjusting the snap holder (stroke 3 mm). This allows the operator to use the same rivet set for different thicknesses.

Model	Rivet Squeezer Set Shank Diameter	Capacity Aluminum Rivets	Maximum Force	Reach	Gap	Maximum Travel	Weight	Accessories	Length
		mm in	T Lb	mm in	mm in	mm in	Lb		in
60102010	Std diameter 5 mm	4.8mm 3/16in	2.2T 4850 lbs	50 mm 2.00 in	35 mm 1.38 in	34 mm 1.34 in	6.7 lb	Select Rivet Set from:- RB 400 for countersink rivets RB 401 for universal head type rivets RB 402 for special reduced universal head rivets	13.4 in
60102110	Std diameter 3/16"	4.8mm 3/16in	2.2T 4850 lbs	50 mm 2.00 in	35 mm 1.38 in	34 mm 1.34 in	6.7 lb	Select Rivet Set from:- RB 400 for countersink rivets RB 401 for universal head type rivets RB 402 for special reduced universal head rivets	13.4 in
60103010	Std diameter 5 mm	3.6mm 9/64in	1.4T 3090 lbs	50 mm 2.00 in	36 mm 1.41 in	35 mm 1.38 in	4.8 lb	Select Rivet Set from:- RB 400 for countersink rivets RB 401 for universal head type rivets RB 402 for special reduced universal head rivets	10.8 in
60103110	Std diameter 3/16"	3.6mm 9/64in	1.4T 3090 lbs	50 mm 2.00 in	36 mm 1.41 in	35 mm 1.38 in	4.8 lb	Select Rivet Set from:- RB 400 for countersink rivets RB 401 for universal head type rivets RB 402 for special reduced universal head rivets	10.8 in

RB43/RB40/RB44 Series - Compression Riveter- Alligator Jaw Type

Up to 7/32" | 5.6mm Capacity Al rivets

- Rivet set holder adjustment - stroke 0.2" allows the operator to use this compression riveter with different thicknesses without changing the rivet set.
- This light, sturdy, compact and fast compression riveter, has a maximum rivet capacity of 3/16" dia for aluminium rivets (depending on the rivet joint thickness).
- Equipped with a safety throttle lever.
- Smooth controlled throttle movement for fast and slow approach.
- To develop maximum power the riveter must squeeze the rivet near to the end of the riveting stroke. Therefore, the combined length of the two rivets sets must be correct.
- The operator can adjust exactly the position of the rivet by adjusting the snap holder (stroke 5 mm). This allows the operator to use the same rivet set for different thicknesses.



Model	Rivet Squeezer Set Shank Diameter	Capacity Aluminum Rivets	Maximum Force	Reach	Gap	Maximum Travel	Weight	Accessories	Length
		mm in	T Lb	mm in	mm in	mm in			Lb
60101010	Std diameter 5 mm	4.8mm 3/16in	2.6T 5730 lbs	60 mm 2.36 in	55 mm 2.16 in	49 mm 1.93 in	6.7 lb	Select Rivet Set from:- RB 400 for countersink rivets RB 401 for universal head type rivets RB 402 for special reduced universal head rivets	14.4 in
60101020	Std diameter 5 mm	3.6mm 9/64in	1.8T 3970 lbs	85 mm 3.35 in	55 mm 2.16 in	49 mm 1.93 in	6.8 lb	Select Rivet Set from:- RB 400 for countersink rivets RB 401 for universal head type rivets RB 402 for special reduced universal head rivets	15.4 in
60101110	Std diameter 3/16"	4.8mm 3/16in	2.6T 5730 lbs	60 mm 2.36 in	55 mm 2.16 in	49 mm 1.93 in	6.7 lb	Select Rivet Set from:- RB 400 for countersink rivets RB 401 for universal head type rivets RB 402 for special reduced universal head rivets	14.4 in
60101120	Std diameter 3/16"	3.6mm 9/64in	1.8T 3970 lbs	85mm 3.35 in	55 mm 2.16 in	49 mm 1.93 in	6.8 lb	Select Rivet Set from:- RB 400 for countersink rivets RB 401 for universal head type rivets RB 402 for special reduced universal head rivets	15.4 in
60104010	Std diameter 5 mm	3.6mm 9/64in	1.4T 3090 lbs	60 mm 2.36 in	55 mm 2.16 in	49 mm 1.93 in	4.59 lb	Select Rivet Set from:- RB 400 for countersink rivets RB 401 for universal head type rivets RB 402 for special reduced universal head rivets	9.7 in
60104110	Std diameter 3/16"	3.6mm 9/64in	1.4T 3090 lbs	60 mm 2.36 in	55 mm 2.16 in	49 mm 1.93 in	4.59 lb	Select Rivet Set from:- RB 400 for countersink rivets RB 401 for universal head type rivets RB 402 for special reduced universal head rivets	9.7 in
60110010	Std diameter 5 mm	5.6mm 7/32in	3T 6610 lbs	58 mm 2.28 in	35 mm 1.38 in	45 mm 1.77 in	11.2 lb	Select Rivet Set from:- RB 400 for countersink rivets RB 401 for universal head type rivets RB 402 for special reduced universal head rivets	16.8 in

RB46 Series - Pressure Riveting Unit for C Yoke or Alligator Jaws

Up to 5/16" / 8mm Capacity Al rivets

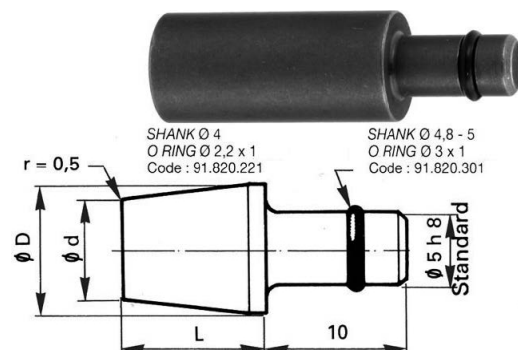
- The RB 46 pressure riveting assembly comprises a hydropneumatic generator, a hydraulic cylinder and a regulator for setting the force (max. 7 tonnes). It uses various standard and special yokes to form solid rivets made from various materials.
- It is easy to use and adjust, making it suitable for all riveting operations on assembly rigs and for maintenance repairs.
- The work cycle is performed automatically after initiation by the operator.
 - quick feed at low pressure until rivet contact
 - high pressure squeezing at preset forces
 - automatic return.
- The principle of this riveting assembly is based on automatic control of the squeezing force ; no additional adjustment is required to squeeze rivets of the same type, diameter and material on assemblies of varying thicknesses.
- An adjusting nut can be used to reduce the return stroke to shorten the riveting time.



Model	Maximum Force	Accessories	Hose Length
	T Lb		m
60203006	7T 15400 lbs	Select Rivet Set from:- RB 400 for countersink rivets RB 401 for universal head type rivets RB 402 for special reduced universal head rivets	1.80, 5.9
60203016	7T 15400 lbs	Select Rivet Set from:- RB 400 for countersink rivets RB 401 for universal head type rivets RB 402 for special reduced universal head rivets	1.80, 5.9
60203106	7T 15400 lbs	Select Rivet Set from:- RB 400 for countersink rivets RB 401 for universal head type rivets RB 402 for special reduced universal head rivets	3, 9.8
60203116	7T 15400 lbs	Select Rivet Set from:- RB 400 for countersink rivets RB 401 for universal head type rivets RB 402 for special reduced universal head rivets	3, 9.8

RB400 - Rivet Set - Countersunk Rivets

- For Countersink Rivets

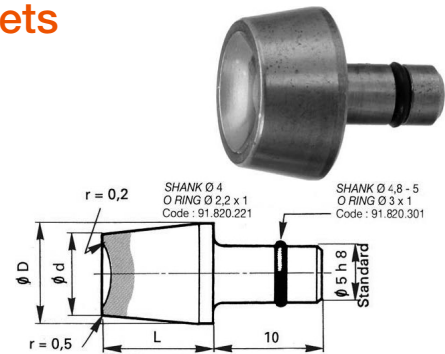


Model	Shank	Rivet Diameter	Length		Diameter Min		Diameter Max		Used On
			mm	in	mm	in	mm	in	
60701005	4h8	1.6 mm 2.4 mm 1/16 in 3/32 in	4	0.157	7	0.276	9	0.354	•RB 40-13-30 Hand Riveter
60701020	4h8	1.6 mm 2.4 mm 1/16 in 3/32 in	7	0.276	7	0.276	9	0.354	•RB 40-13-30 Hand Riveter
60701205	4h8	3.2 mm 3.6 mm 1/16 in 3/32 in	4	0.157	9	0.354	9	0.354	•RB 40-13-30 Hand Riveter
60701220	4h8	3.2 mm 3.6 mm 1/16 in 3/32 in	7	0.276	9	0.354	9	0.354	•RB 40-13-30 Hand Riveter
60703005	5h8	1.6 mm 2.4 mm 1/16 in 3/32 in	4	0.157	7	0.276	9	0.354	•RB 41-17-70 Hand Riveter •All compression riveters RB41-17-70 Hand Riveter
60703020	5h8	1.6 mm 2.4 mm 1/16 in 3/32 in	7	0.276	7	0.276	9	0.354	•RB 41-17-70 Hand Riveter •All compression riveters RB41-17-70 Hand Riveter
60703040	5h8	1.6 mm 2.4 mm 1/16 in 3/32 in	10	0.394	7	0.276	9	0.354	•RB 41-17-70 Hand Riveter •All compression riveters RB41-17-70 Hand Riveter
60703055	5h8	1.6 mm 2.4 mm 1/16 in 3/32 in	12.5	0.492	7	0.276	9	0.354	•RB 41-17-70 Hand Riveter •All compression riveters RB41-17-70 Hand Riveter
60703075	5h8	1.6 mm 2.4 mm 1/16 in 3/32 in	16	0.63	7	0.276	9	0.354	•RB 41-17-70 Hand Riveter •All compression riveters RB41-17-70 Hand Riveter
60703095	5h8	1.6 mm 2.4 mm 1/16 in 3/32 in	20	0.787	7	0.276	9	0.354	•RB 41-17-70 Hand Riveter •All compression riveters RB41-17-70 Hand Riveter
60703220	5h8	3.2 mm 3.6 mm 1/16 in 3/32 in	7	0.276	9	0.354	9	0.354	•RB 41-17-70 Hand Riveter •All compression riveters RB41-17-70 Hand Riveter
60703240	5h8	3.2 mm 3.6 mm 1/16 in 3/32 in	10	0.394	9	0.354	9	0.354	•RB 41-17-70 Hand Riveter •All compression riveters RB41-17-70 Hand Riveter
60703255	5h8	3.2 mm 3.6 mm 1/16 in 3/32 in	12.5	0.492	9	0.354	9	0.354	•RB 41-17-70 Hand Riveter •All compression riveters RB41-17-70 Hand Riveter
60703275	5h8	3.2 mm 3.6 mm 1/16 in 3/32 in	16	0.63	9	0.354	9	0.354	•RB 41-17-70 Hand Riveter •All compression riveters RB41-17-70 Hand Riveter
60703295	5h8	3.2 mm 3.6 mm 1/16 in 3/32 in	20	0.787	9	0.354	9	0.354	•RB 41-17-70 Hand Riveter •All compression riveters RB41-17-70 Hand Riveter

Model	Shank	Rivet Diameter	Length		Diameter Min		Diameter Max		Used On
			mm	in	mm	in	mm	in	
60703405	5h8	4 mm 5/32 in	4	0.157	10	0.394	14	0.551	<ul style="list-style-type: none"> •RB 41-17-70 Hand Riveter •All compression riveters RB41-17-70 Hand Riveter
60703420	5h8	4 mm 5/32 in	7	0.276	10	0.394	14	0.551	<ul style="list-style-type: none"> •RB 41-17-70 Hand Riveter •All compression riveters RB41-17-70 Hand Riveter
60703440	5h8	4 mm 5/32 in	10	0.394	10	0.394	14	0.551	<ul style="list-style-type: none"> •RB 41-17-70 Hand Riveter •All compression riveters RB41-17-70 Hand Riveter
60703455	5h8	4 mm 5/32 in	12.5	0.492	10	0.394	14	0.551	<ul style="list-style-type: none"> •RB 41-17-70 Hand Riveter •All compression riveters RB41-17-70 Hand Riveter
60703475	5h8	4 mm 5/32 in	16	0.63	10	0.394	14	0.551	<ul style="list-style-type: none"> •RB 41-17-70 Hand Riveter •All compression riveters RB41-17-70 Hand Riveter
60703495	5h8	4 mm 5/32 in	20	0.787	10	0.394	14	0.551	<ul style="list-style-type: none"> •RB 41-17-70 Hand Riveter •All compression riveters RB41-17-70 Hand Riveter
60703505	5h8	4.8 mm 3/16 in	4	0.157	12	0.472	14	0.551	<ul style="list-style-type: none"> •RB 41-17-70 Hand Riveter •All compression riveters RB41-17-70 Hand Riveter
60703520	5h8	4.8 mm 3/16 in	7	0.276	12	0.472	14	0.551	<ul style="list-style-type: none"> •RB 41-17-70 Hand Riveter •All compression riveters RB41-17-70 Hand Riveter
60703540	5h8	4.8 mm 3/16 in	10	0.394	12	0.472	14	0.551	<ul style="list-style-type: none"> •RB 41-17-70 Hand Riveter •All compression riveters RB41-17-70 Hand Riveter
60703555	5h8	4.8 mm 3/16 in	12.5	0.492	12	0.472	14	0.551	<ul style="list-style-type: none"> •RB 41-17-70 Hand Riveter •All compression riveters RB41-17-70 Hand Riveter
60703575	5h8	4.8 mm 3/16 in	16	0.63	12	0.472	14	0.551	<ul style="list-style-type: none"> •RB 41-17-70 Hand Riveter •All compression riveters RB41-17-70 Hand Riveter
60703595	5h8	4.8 mm 3/16 in	20	0.787	12	0.472	14	0.551	<ul style="list-style-type: none"> •RB 41-17-70 Hand Riveter •All compression riveters RB41-17-70 Hand Riveter
60703605	5h8	5.6 mm 6.4 mm 7/32 in 1/4 in	4	0.157	16	0.63	16	0.63	<ul style="list-style-type: none"> •RB 41-17-70 Hand Riveter •All compression riveters RB41-17-70 Hand Riveter
60703620	5h8	5.6 mm 6.4 mm 7/32 in 1/4 in	7	0.276	16	0.63	16	0.63	<ul style="list-style-type: none"> •RB 41-17-70 Hand Riveter •All compression riveters RB41-17-70 Hand Riveter
60703640	5h8	5.6 mm 6.4 mm 7/32 in 1/4 in	10	0.394	16	0.63	16	0.63	<ul style="list-style-type: none"> •RB 41-17-70 Hand Riveter •All compression riveters RB41-17-70 Hand Riveter
60703655	5h8	5.6 mm 6.4 mm 7/32 in 1/4 in	12.5	0.492	16	0.63	16	0.63	<ul style="list-style-type: none"> •RB 41-17-70 Hand Riveter •All compression riveters RB41-17-70 Hand Riveter
60703675	5h8	5.6 mm 6.4 mm 7/32 in 1/4 in	16	0.63	16	0.63	16	0.63	<ul style="list-style-type: none"> •RB 41-17-70 Hand Riveter •All compression riveters RB41-17-70 Hand Riveter
60703695	5h8	5.6 mm 6.4 mm 7/32 in 1/4 in	20	0.787	16	0.63	16	0.63	<ul style="list-style-type: none"> •RB 41-17-70 Hand Riveter •All compression riveters RB41-17-70 Hand Riveter

RB401 - Rivet Set - Universal Head Type Rivets

- For Universal Head Type Rivets

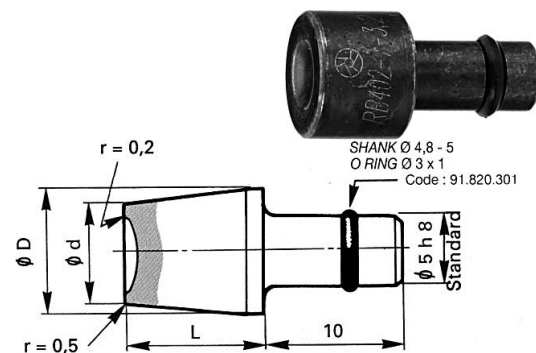


Model	Shank	Rivet Dia- meter	Length		Diameter Min		Diameter Max		Used On
			mm	in	mm	in	mm	in	
60711105	4h8	2.4 mm 3/32 in	4	0.157	7	0.276	9	0.354	•RB 40-13-30 Hand Riveter
60711120	4h8	2.4 mm 3/32 in	7	0.276	7	0.276	9	0.354	•RB 40-13-30 Hand Riveter
60711205	4h8	2.4 mm 3/32 in	4	0.157	9	0.354	9	0.354	•RB 40-13-30 Hand Riveter
60711220	4h8	2.4 mm 3/32 in	7	0.276	9	0.354	9	0.354	•RB 40-13-30 Hand Riveter
60713105	5h8	2.4 mm 3/32 in	4	0.157	7	0.276	9	0.354	•RB 41-17-70 Hand Riveter •All compression riveters RB41-17-70 Hand Riveter
60713120	5h8	2.4 mm 3/32 in	7	0.276	7	0.276	9	0.354	•RB 41-17-70 Hand Riveter •All compression riveters RB41-17-70 Hand Riveter
60713140	5h8	2.4 mm 3/32 in	10	0.394	7	0.276	9	0.354	•RB 41-17-70 Hand Riveter •All compression riveters RB41-17-70 Hand Riveter
60713155	5h8	2.4 mm 3/32 in	12.5	0.492	7	0.276	9	0.354	•RB 41-17-70 Hand Riveter •All compression riveters RB41-17-70 Hand Riveter
60713175	5h8	2.4 mm 3/32 in	16	0.63	7	0.276	9	0.354	•RB 41-17-70 Hand Riveter •All compression riveters RB41-17-70 Hand Riveter
60713195	5h8	2.4 mm 3/32 in	20	0.787	7	0.276	9	0.354	•RB 41-17-70 Hand Riveter •All compression riveters RB41-17-70 Hand Riveter
60713205	5h8	3.2 mm 1/8 in	4	0.157	9	0.354	9	0.354	•RB 41-17-70 Hand Riveter •All compression riveters RB41-17-70 Hand Riveter
60713220	5h8	3.2 mm 1/8 in	7	0.276	9	0.354	9	0.354	•RB 41-17-70 Hand Riveter •All compression riveters RB41-17-70 Hand Riveter
60713240	5h8	3.2 mm 1/8 in	10	0.394	9	0.354	9	0.354	•RB 41-17-70 Hand Riveter •All compression riveters RB41-17-70 Hand Riveter
60713255	5h8	3.2 mm 1/8 in	12.5	0.492	9	0.354	9	0.354	•RB 41-17-70 Hand Riveter •All compression riveters RB41-17-70 Hand Riveter
60713275	5h8	3.2 mm 1/8 in	16	0.63	9	0.354	9	0.354	•RB 41-17-70 Hand Riveter •All compression riveters RB41-17-70 Hand Riveter
60713295	5h8	3.2 mm 1/8 in	20	0.787	9	0.354	9	0.354	•RB 41-17-70 Hand Riveter •All compression riveters RB41-17-70 Hand Riveter
60713405	5h8	4 mm 5/32 in	4	0.157	10	0.394	14	0.551	•RB 41-17-70 Hand Riveter •All compression riveters RB41-17-70 Hand Riveter

Model	Shank	Rivet Dia- meter	Length		Diameter Min		Diameter Max		Used On
			mm	in	mm	in	mm	in	
60713420	5h8	4 mm 5/32 in	7	0.276	10	0.394	14	0.551	•RB 41-17-70 Hand Riveter •All compression riveters RB41-17-70 Hand Riveter
60713440	5h8	4 mm 5/32 in	10	0.394	10	0.394	14	0.551	•RB 41-17-70 Hand Riveter •All compression riveters RB41-17-70 Hand Riveter
60713455	5h8	4 mm 5/32 in	12.5	0.492	10	0.394	14	0.551	•RB 41-17-70 Hand Riveter •All compression riveters RB41-17-70 Hand Riveter
60713475	5h8	4 mm 5/32 in	16	0.63	10	0.394	14	0.551	•RB 41-17-70 Hand Riveter •All compression riveters RB41-17-70 Hand Riveter
60713495	5h8	4 mm 5/32 in	20	0.787	10	0.394	14	0.551	•RB 41-17-70 Hand Riveter •All compression riveters RB41-17-70 Hand Riveter
60713505	5h8	4.8 mm 3/26 in	4	0.157	12	0.472	14	0.551	•RB 41-17-70 Hand Riveter •All compression riveters RB41-17-70 Hand Riveter
60713520	5h8	4.8 mm 3/26 in	7	0.276	12	0.472	14	0.551	•RB 41-17-70 Hand Riveter •All compression riveters RB41-17-70 Hand Riveter
60713540	5h8	4.8 mm 3/26 in	10	0.394	12	0.472	14	0.551	•RB 41-17-70 Hand Riveter •All compression riveters RB41-17-70 Hand Riveter
60713555	5h8	4.8 mm 3/26 in	12.5	0.492	12	0.472	14	0.551	•RB 41-17-70 Hand Riveter •All compression riveters RB41-17-70 Hand Riveter
60713575	5h8	4.8 mm 3/26 in	16	0.63	12	0.472	14	0.551	•RB 41-17-70 Hand Riveter •All compression riveters RB41-17-70 Hand Riveter
60713595	5h8	4.8 mm 3/26 in	20	0.787	12	0.472	14	0.551	•RB 41-17-70 Hand Riveter •All compression riveters RB41-17-70 Hand Riveter
60713605	5h8	5.6 mm 7/32 in	4	0.157	14	0.551	16	0.63	•RB 41-17-70 Hand Riveter •All compression riveters RB41-17-70 Hand Riveter
60713620	5h8	5.6 mm 7/32 in	7	0.276	14	0.551	16	0.63	•RB 41-17-70 Hand Riveter •All compression riveters RB41-17-70 Hand Riveter
60713640	5h8	5.6 mm 7/32 in	10	0.394	14	0.551	16	0.63	•RB 41-17-70 Hand Riveter •All compression riveters RB41-17-70 Hand Riveter
60713655	5h8	5.6 mm 7/32 in	12.5	0.492	14	0.551	16	0.63	•RB 41-17-70 Hand Riveter •All compression riveters RB41-17-70 Hand Riveter
60713675	5h8	5.6 mm 7/32 in	16	0.63	14	0.551	16	0.63	•RB 41-17-70 Hand Riveter •All compression riveters RB41-17-70 Hand Riveter
60713695	5h8	5.6 mm 7/32 in	20	0.787	14	0.551	16	0.63	•RB 41-17-70 Hand Riveter •All compression riveters RB41-17-70 Hand Riveter
60713705	5h8	6.4 mm 1/4 in	4	0.157	16	0.63	16	0.63	•RB 41-17-70 Hand Riveter •All compression riveters RB41-17-70 Hand Riveter
60713720	5h8	6.4 mm 1/4 in	7	0.276	16	0.63	16	0.63	•RB 41-17-70 Hand Riveter •All compression riveters RB41-17-70 Hand Riveter
60713740	5h8	6.4 mm 1/4 in	10	0.394	16	0.63	16	0.63	•RB 41-17-70 Hand Riveter •All compression riveters RB41-17-70 Hand Riveter
60713755	5h8	6.4 mm 1/4 in	12.5	0.492	16	0.63	16	0.63	•RB 41-17-70 Hand Riveter •All compression riveters RB41-17-70 Hand Riveter
60713775	5h8	6.4 mm 1/4 in	16	0.63	16	0.63	16	0.63	•RB 41-17-70 Hand Riveter •All compression riveters RB41-17-70 Hand Riveter
60713795	5h8	6.4 mm 1/4 in	20	0.787	16	0.63	16	0.63	•RB 41-17-70 Hand Riveter •All compression riveters RB41-17-70 Hand Riveter

RB402 - Rivet Set - Special Reduced Universal Head Type Rivets

- For Special Reduced Universal Head Rivets



Model	Shank	Rivet Diameter	Length		Diameter Min		Diameter Max		Used On
			mm	in	mm	in	mm	in	
60723105	5h8	2.4 mm 3/32 in	4	0.157	7	0.276	9	0.354	<ul style="list-style-type: none"> •RB 41-17-70 Hand Riveter •All compression riveters RB41-17-70 Hand Riveter
60723120	5h8	2.4 mm 3/32 in	7	0.276	7	0.276	9	0.354	<ul style="list-style-type: none"> •RB 41-17-70 Hand Riveter •All compression riveters RB41-17-70 Hand Riveter
60723140	5h8	2.4 mm 3/32 in	10	0.394	7	0.276	9	0.354	<ul style="list-style-type: none"> •RB 41-17-70 Hand Riveter •All compression riveters RB41-17-70 Hand Riveter
60723155	5h8	2.4 mm 3/32 in	12.5	0.492	7	0.276	9	0.354	<ul style="list-style-type: none"> •RB 41-17-70 Hand Riveter •All compression riveters RB41-17-70 Hand Riveter
60723175	5h8	2.4 mm 3/32 in	16	0.63	7	0.276	9	0.354	<ul style="list-style-type: none"> •RB 41-17-70 Hand Riveter •All compression riveters RB41-17-70 Hand Riveter
60723195	5h8	2.4 mm 3/32 in	20	0.787	7	0.276	9	0.354	<ul style="list-style-type: none"> •RB 41-17-70 Hand Riveter •All compression riveters RB41-17-70 Hand Riveter
60723205	5h8	3.2 mm 1/8 in	4	0.157	9	0.354	9	0.354	<ul style="list-style-type: none"> •RB 41-17-70 Hand Riveter •All compression riveters RB41-17-70 Hand Riveter
60723220	5h8	3.2 mm 1/8 in	7	0.276	9	0.354	9	0.354	<ul style="list-style-type: none"> •RB 41-17-70 Hand Riveter •All compression riveters RB41-17-70 Hand Riveter
60723240	5h8	3.2 mm 1/8 in	10	0.394	9	0.354	9	0.354	<ul style="list-style-type: none"> •RB 41-17-70 Hand Riveter •All compression riveters RB41-17-70 Hand Riveter
60723255	5h8	3.2 mm 1/8 in	12.5	0.492	9	0.354	9	0.354	<ul style="list-style-type: none"> •RB 41-17-70 Hand Riveter •All compression riveters RB41-17-70 Hand Riveter
60723275	5h8	3.2 mm 1/8 in	16	0.63	9	0.354	9	0.354	<ul style="list-style-type: none"> •RB 41-17-70 Hand Riveter •All compression riveters RB41-17-70 Hand Riveter
60723295	5h8	3.2 mm 1/8 in	20	0.787	9	0.354	9	0.354	<ul style="list-style-type: none"> •RB 41-17-70 Hand Riveter •All compression riveters RB41-17-70 Hand Riveter
60723405	5h8	4 mm 5/32 in	4	0.157	10	0.394	14	0.551	<ul style="list-style-type: none"> •RB 41-17-70 Hand Riveter •All compression riveters RB41-17-70 Hand Riveter
60723420	5h8	4 mm 5/32 in	7	0.276	10	0.394	14	0.551	<ul style="list-style-type: none"> •RB 41-17-70 Hand Riveter •All compression riveters RB41-17-70 Hand Riveter
60723440	5h8	4 mm 5/32 in	10	0.394	10	0.394	14	0.551	<ul style="list-style-type: none"> •RB 41-17-70 Hand Riveter •All compression riveters RB41-17-70 Hand Riveter

Model	Shank	Rivet Dia- meter	Length		Diameter Min		Diameter Max		Used On
			mm	in	mm	in	mm	in	
60723455	5h8	4 mm 5/32 in	12.5	0.492	10	0.394	14	0.551	•RB 41-17-70 Hand Riveter •All compression riveters RB41-17-70 Hand Riveter
60723475	5h8	4 mm 5/32 in	16	0.63	10	0.394	14	0.551	•RB 41-17-70 Hand Riveter •All compression riveters RB41-17-70 Hand Riveter
60723495	5h8	4 mm 5/32 in	20	0.787	10	0.394	14	0.551	•RB 41-17-70 Hand Riveter •All compression riveters RB41-17-70 Hand Riveter
60723505	5h8	4.8 mm 3/32 in	4	0.157	12	0.472	14	0.551	•RB 41-17-70 Hand Riveter •All compression riveters RB41-17-70 Hand Riveter
60723520	5h8	4.8 mm 3/32 in	7	0.276	12	0.472	14	0.551	•RB 41-17-70 Hand Riveter •All compression riveters RB41-17-70 Hand Riveter
60723540	5h8	4.8 mm 3/32 in	10	0.394	12	0.472	14	0.551	•RB 41-17-70 Hand Riveter •All compression riveters RB41-17-70 Hand Riveter
60723555	5h8	4.8 mm 3/32 in	12.5	0.492	12	0.472	14	0.551	•RB 41-17-70 Hand Riveter •All compression riveters RB41-17-70 Hand Riveter
60723575	5h8	4.8 mm 3/32 in	16	0.63	12	0.472	14	0.551	•RB 41-17-70 Hand Riveter •All compression riveters RB41-17-70 Hand Riveter
60723595	5h8	4.8 mm 3/32 in	20	0.787	12	0.472	14	0.551	•RB 41-17-70 Hand Riveter •All compression riveters RB41-17-70 Hand Riveter
60723605	5h8	5.6 mm 7/32 in	4	0.157	14	0.551	14	0.551	•RB 41-17-70 Hand Riveter •All compression riveters RB41-17-70 Hand Riveter
60723620	5h8	5.6 mm 7/32 in	7	0.276	14	0.551	14	0.551	•RB 41-17-70 Hand Riveter •All compression riveters RB41-17-70 Hand Riveter
60723640	5h8	5.6 mm 7/32 in	10	0.394	14	0.551	14	0.551	•RB 41-17-70 Hand Riveter •All compression riveters RB41-17-70 Hand Riveter
60723655	5h8	5.6 mm 7/32 in	12.5	0.492	14	0.551	14	0.551	•RB 41-17-70 Hand Riveter •All compression riveters RB41-17-70 Hand Riveter
60723675	5h8	5.6 mm 7/32 in	16	0.63	14	0.551	14	0.551	•RB 41-17-70 Hand Riveter •All compression riveters RB41-17-70 Hand Riveter
60723695	5h8	5.6 mm 7/32 in	20	0.787	14	0.551	14	0.551	•RB 41-17-70 Hand Riveter •All compression riveters RB41-17-70 Hand Riveter

Rivet Cutting Pliers

- This very simple hand cutting tool includes a microstop adjustment for a clean, precise cut of all aluminium rivets from : 1/16" to 7/32" dia.

Model	Minimum Underhead	Rivet	Tolerance Over
	Cutting Length	Diameter	Length
60001000	5 mm - 0.197" dia	2 mm 2.5 mm 3 mm 3.5 mm 4 mm 5 mm 6 mm	0,5 mm - 0.02" dia
RC-60001005	5 mm - 0.197" dia	1/16 in 3/32 in 1/8 in 9/64 in 5/32 in 3/16 in 7/32 in	0,5 mm - 0.02" dia



Thickness Gauge

0 to 1/4" (30mm)

- Simple and handy, equipped with a flexible, highly-efficient safety locking device, this inspection tool is designed for checking all thicknesses from 0 to 1 1/4" (30 mm).
- The accurate scale allows reading to 0.004" (0,1 mm).



Model	Description
60901000	RB 2010 - Thickness Gauge

Ring Cutters

Easy removal of Rivet Rings 4.00 - 8.00mm

- Simple, rugged and handy, this tool has been designed to afford the easy removal of rivet rings (Huck, LGP type or others) without risk of damage to the hole or skin.
- Strong mechanical leverage enables clean removal of rings into two half shells.
- Quick change levers enable the ring cutter to be used in either « in line » or « right angle » position.
- Reduced dimension of the working part.
- No adjustment or setting required for use which is a considerable time-saver for rivet ring removal.
- Removable, quick change anvils.



Model	Fastener Size
60004000	4 mm 0.1579 in
60004001	4.8 mm 0.188 in
60004005	5 mm 0.1969 in
60004008	5.6 mm 0.219 in
60004010	6 mm 0.2362 in
60004015	7.94 mm 0.313 in
60004016	6.35 mm 0.250 in
60004017	4.16 mm 0.1638 in